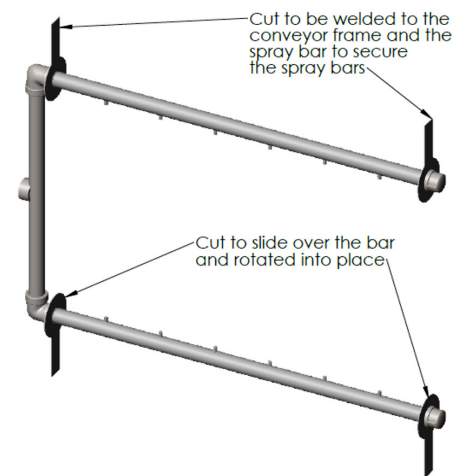
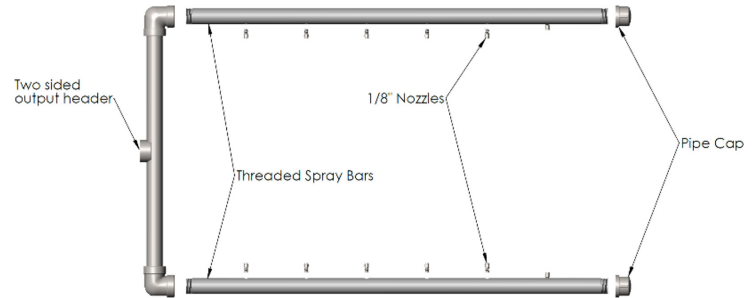


SPRAY BAR SYSTEM

PART NUMBER CONFIGURATION

- ▶ **Product:** Identifies category of product; in this case Spray Bar assembly
- ▶ **Belt Width:** Width of belt (moving portion). Does not include rails of conveyor.
- ▶ **Clearance:** In a single bar, distance from belt surface to spray nozzles. In a double bar, one half the spacing of the double bars.
- ▶ **Style:** Single is one bar used for cleaning one surface, Double is a U-shaped assembly meant to straddle the belt to clean both sides.
- ▶ **Flights:** Select “Y” for belts with flights measuring more than 1” in height. In applications with flights, spray bars will be supplied with a dual row of spray nozzles positioned at 90° to clean the vertical surfaces of the flights
- ▶ **Mounting:** Select “W” to have weld mountable brackets supplied for bar mounting to conveyor
- ▶ **Foaming Bar:** Select “1” for applications that require a foaming bar. A chemical injector assembly for pick up and foam generation will be provided as well.



Water supply connection for rinse bar is a female 3/4 NPT.

SB-	14-	7-	D-	N-	D-	W-	N
Product	Belt Width	Clearance	Style	Flights	Supply Pressure	Mounting	Foaming Bar
SB - Spray Bar	14 - 14.0" or less	3 - 3"	S - Single	N - No	A - 40 to 100 PSI	N - None	N - None
	18 - 14.25" to 18.0"	4 - 4"	D - Double	Y - Yes	B - 101 to 150 PSI	W - Weld Brackets	1 - Foaming Bar
	22 - 18.25" to 22.0"	5 - 5"			C - 150 to 249 PSI		
	26 - 22.25" to 26.0"	6 - 6"			D - 250 to 375 PSI		
	30 - 26.25" to 30.0"	7 - 7"			E - 376 to 500 PSI		
	34 - 30.25" to 34.0"	8 - 8"			F - 501 to 700 PSI		
	38 - 34.25" to 38.0"	9 - 9"					
	42 - 38.25" to 42.0"	10 - 10"					
	46 - 42.25" to 46.0"	11 - 11"					
50 - 46.25" to 50.0"	12 - 12"						



ADDRESS 1501 E 8th St, North Little Rock, AR 72114

PHONE (501) 758-8500

EMAIL SalesSFCl@pssi.com WEB www.pssi.com