

ELECTRIC TOUCHLESS DISPENSERS

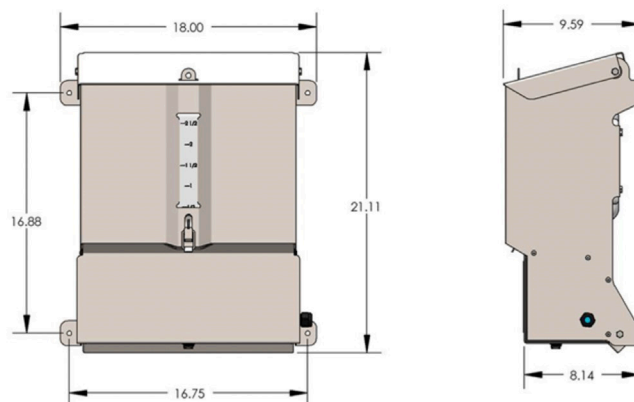
Safe Foods Chemical Innovations' Electric Touchless Dispensers are easy-to-use, hands-free automatic dispensers. With the same footprint for all three units, the line provides a familiar unit for both maintenance and employee usage.

FEATURES

- ▶ Durable Stainless-steel design
- ▶ Touch-free system, wall mounted
- ▶ Electrically operated
- ▶ Larger footprint for better visibility
- ▶ Perfect for high-volume areas
- ▶ 2.5-gallon capacity - more time between refills
- ▶ Large, 5" fill port for easy refilling (no cartridges)
- ▶ Fixed amount of solutions dispensing with photo-eye
- ▶ At-a-glance low level indicator light
- ▶ Automatic shut off on empty
- ▶ Lockable lid and pump compartment
- ▶ 1.5" wall standoff for easy wash down behind unit

PRODUCT ORDERING

Item #	Description
91224	Electric Hand Sanitizer Dispenser
91226	Electric Hand Soap Dispenser
91248	Electric Anti-Fog Dispenser



ADDRESS 1501 E 8th St, North Little Rock, AR 72114

PHONE (501) 758-8500

EMAIL SalesSFCI@pssi.com WEB www.pssi.com