

# ELECTRIC HAND SANITIZER (2.5 GALLON)

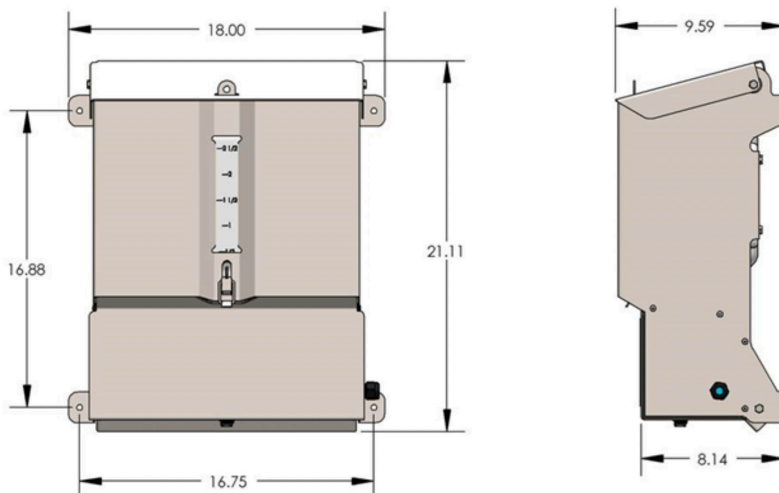
Minimize cross contamination and ensure GFSI audit readiness with our electric hand sanitizer units.

## FEATURES

- ▶ Durable Stainless-steel design
- ▶ Touch-free system, wall mounted
- ▶ Electrically operated
- ▶ Larger footprint for better visibility
- ▶ Perfect for high-volume areas
- ▶ 2.5-gallon capacity - more time between refills
- ▶ Large, 5" fill port for easy refilling
- ▶ At-a-glance low level indicator light
- ▶ Sanitizer level visibility from front of unit
- ▶ Automatic shut off on empty
- ▶ Lockable lid and pump compartment
- ▶ 1.5" wall mounting standoffs for easy wash down

## PRODUCT ORDERING

Description	Item #
Standard	91224



CHEMICAL INNOVATIONS  
ENGINEERING

Web [www.pssi.com](http://www.pssi.com)  
Phone 608-568-3841  
Email [websales@pssi.com](mailto:websales@pssi.com)  
Address 3729 Peddle Hollow Rd.  
Kieler, WI 53812