

WATER PRESSURE TEST KIT

DESCRIPTION: Part# 91169

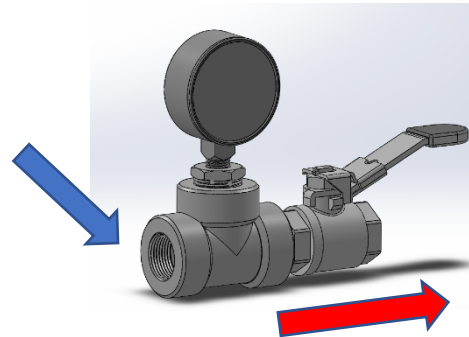
The Water Pressure Test Kit is for in the field use. It allows the user to measure inline pressure with the valve open as well as measure zero flow pressure with the valve closed. This gives the user an easy to read water pressure during both scenarios. The kit includes the necessary fittings to suit multiple situations including: 1/2" to 1/4" adapters, 3/4" to 1/2" adapters, garden hose adapter and 1/2" nipple fitting for the use of a 1/2" hose to measuring a running pressure as well.

Find a location along the water line where the Water Pressure Test Kit can be installed where it is easy to access.

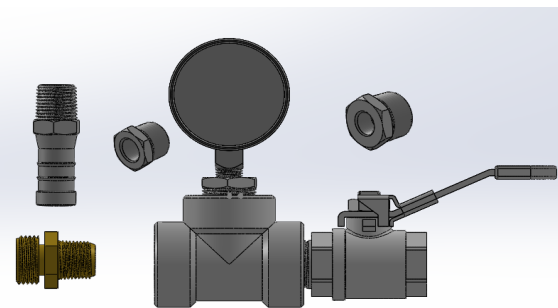
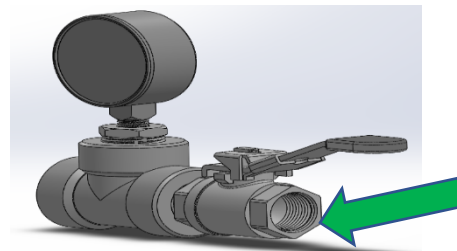
Make sure the supply water line is shut off before installation.

Attach the open end of the T-fitting to the water line. Use one of the adapters included if needed to fit correctly to water supply (blue arrow)

This is the inlet for the water, the water should be flowing in the direction of the *red arrow*.



The open end (Green arrow) of the valve can be attached to a hose, or inline with the water supply, to measure inline flow pressure (valve open) or measure zero flow pressure (valve closed)



Product#	Product Name	Amount
96345	SS PRESSURE GAUGE 2-1/2" 1000PSI	01
96776	SS BALL VLV 1/2" (LOCKNG)	01
96781	SS BELL CPLG 1/2"X 1/4"	01
96929	SS BELL CPLG 3/4"X 1/2"	01
96829	SS NIPPLE 1/2" X CL	01
96858	SS TEE 1/2"	01
96053	BASS GRD HS CPLG 3/4FX1/2M	01