

# ELECTRIC ANTI-FOG (2.5 GALLON)

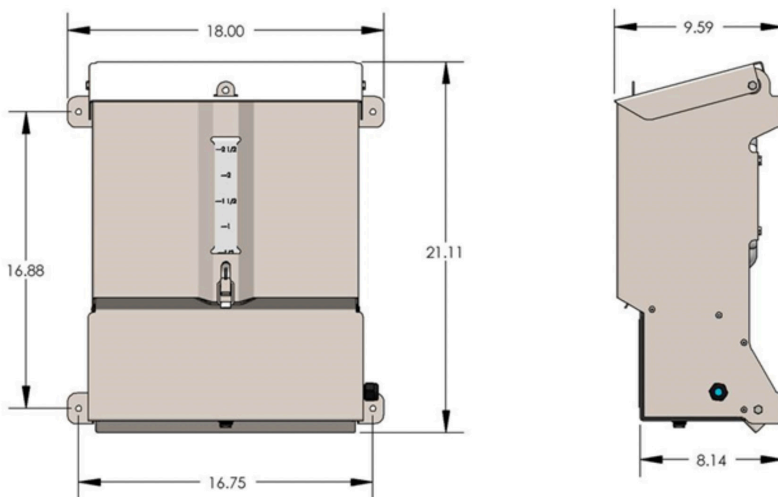
Safe Foods Chemical Innovation's Electric Anti-Fog Dispensers are easy-to-use, hands-free automatic dispensers. With a photo-eye for the dispenser, they allow the user to simply place their goggles under the unit, and a fixed amount of our KC-199 Anti-Fog will be dispensed.

## FEATURES

- ▶ Durable Stainless-steel design
- ▶ Touch-free system, wall mounted
- ▶ Electrically operated
- ▶ Larger footprint for better visibility
- ▶ Perfect for high-volume areas
- ▶ 2.5-gallon capacity - more time between refills
- ▶ Large, 5" fill port for easy refilling (no cartridges)
- ▶ At-a-glance low level indicator light
- ▶ Product level visibility from front of unit
- ▶ Automatic shut off on empty
- ▶ Lockable lid and pump compartment
- ▶ 1.5" wall mounting standoffs for easy wash down behind unit
- ▶ Same footprint as Safe Foods Chemical Innovation's Electric Hand Sanitizer and Electric Hand Soap dispensers to provide a familiar unit for both maintenance and employee use.

## PRODUCT ORDERING

Item #	Description
91248	Electric Anti-Fog Dispenser



ADDRESS 1501 E 8th St, North Little Rock, AR 72114

PHONE (501) 758-8500

EMAIL [SalesSFCI@pssi.com](mailto:SalesSFCI@pssi.com) WEB [www.pssi.com](http://www.pssi.com)